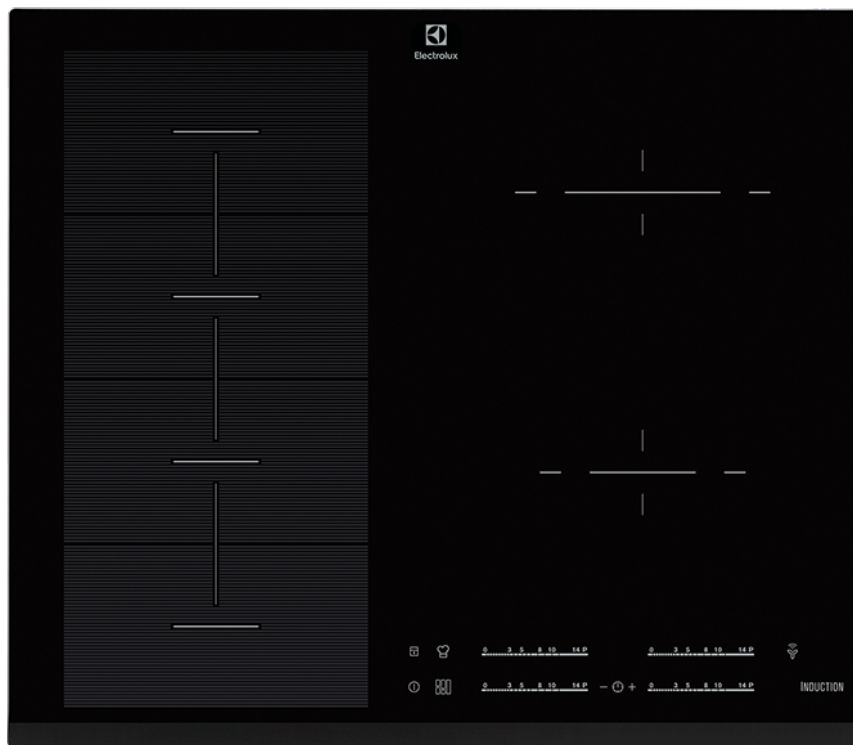


60cm 4 zone induction cooktop with FlexiBridge zone, 14 stage slide control, PowerSlide mode, Automatic heat up, Hob2Hood connectivity capable.



Product Details

FEATURES

High performance induction technology

Flexibility to cook with FlexiBridge

Instant control with PowerSlide

Hob2Hood technology

Touch and slide controls
Touch the control bar at the necessary heat setting

Residual heat indicators all zones
Indicates which area is too hot to comfortably touch.

Timer

Child safety device

Acoustic signal
Confirms use of the control panel

BENEFITS

High performance induction technology
Have complete control with precise cooking. Cook from simmer to a boil instantly while using induction technology. Providing the ultimate in safety induction cooking generates heat in the cookware, so surfaces around the pot are cool to touch. The cooking environment remains cooler and is therefore safer too. The surface is also easy to clean, as spills can be simply wiped away.

PowerSlide
With Electrolux PowerSlide, you'll enjoy an enhanced cooking experience and instant control. Choose between three different preset heating zones simply by sliding your pan across the hob. Perfect for when you need to make quick heat changes to create a dish, simply slide your pan over the different heat zones for full control in the kitchen.

FlexiBridge
Our new FlexiBridge induction cooktop gives you the ultimate in freedom and flexibility. With a special four-segment cooking area, you can choose your cooking layout or combine all four segments for one of the largest single cooking areas available. Plus optimised heat distribution ensures great results every time.

Hob2Hood
With our innovative Hob2Hood technology you can effortlessly control your kitchen environment as you cook. This smart technology allows a compatible rangehood and hob to seamlessly work together to instantly get rid of unpleasant cooking odours. As you increase the heat, the temperature sensors automatically adjust your hood to your cooking intensity.

Ultimate in safety and comfort

Induction cooking generates heat in the cookware, so surfaces around the pot are cool to touch, and the cooking environment remains cooler. The surface is also easy to clean, as spills are simply wiped away

Child lock

Enables the control panel and functions to be locked, in case of curious little fingers.

Specifications

PRODUCT PROFILE

Domestic warranty details (yrs)	2
Cooktop type	induction
Materials/Colour	black
Removable trim (for cleaning)	No
Wok included designed to fit cooktop	No

CONTROLS

Controls of Cooktops	slide touch pad
Position of controls	front
Functions of Cooktops	auto heat up,cooking timer with acoustic signal,acoustic signal,booster,automatic switch off
Indicators/display	fault indicator,residual heat warning lamps,3 level residual heat indicator

DIMENSIONS

Total product height (mm)	55
Total product width (mm)	590
Total product depth (mm)	520
Cut out width (mm)	560
Cut out depth (mm)	490

ELEMENTS/BURNERS

LEFT FRONT ZONE

Left front zone	induction extended
Left front Watts	2300
Left front boost watts	3200
Left front diameter mm	214

CONTROLS

Features of Cooktop	safety cut off,overheating protection,electronic timer,minute minder,function lock,auto pot sensors
---------------------	---

Timer of Cooktop	programmable 99min,auto off,countdown,CountUp
------------------	---

Readable temperature setting	No
------------------------------	----

LEFT REAR ZONE

Left rear zone	induction extended
----------------	--------------------

Left rear watts	2300
-----------------	------

Left rear diameter mm	214
-----------------------	-----

RIGHT REAR ZONE

Right rear zone	induction extended
-----------------	--------------------

Right rear watts	1800
------------------	------

Right rear diameter mm	180
------------------------	-----

RIGHT FRONT ZONE

Right front zone	induction extended
------------------	--------------------

Right front Watts	1400
-------------------	------

Right front diameter mm	145
-------------------------	-----

ELECTRICAL SPECIFICATIONS

Connected load KW	7.4
-------------------	-----

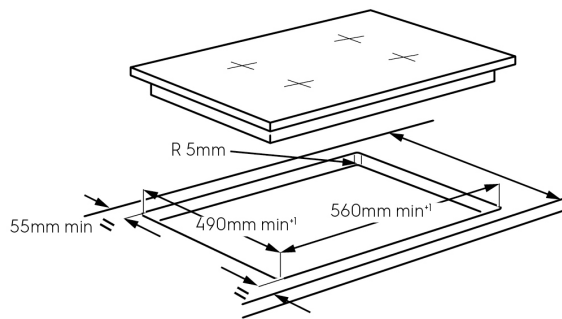
Maximum current rating (amps)	31
-------------------------------	----

Type of connection	hardwired
--------------------	-----------

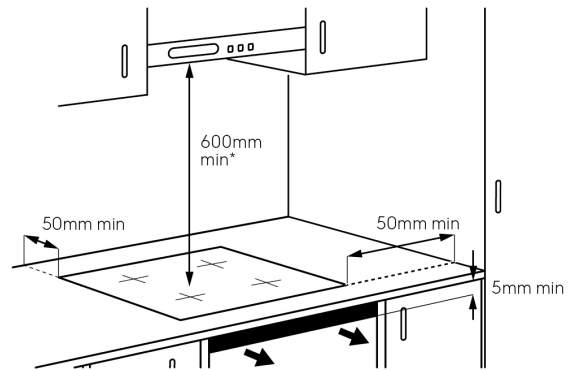
Dimensions

Dimensions

	width	height	depth
Cut-out (mm)	560	490	
Product (mm)	590	55	520



*Unless specified in rangehood installation details.



Terms and Conditions

IMPORTANT

This is a guide of product dimensions only. For complete installation instructions, refer to the manual provided with product.

PRODUCT INFORMATION

The descriptors and illustrations in this publication apply to the specific products and models described as at the date of issue. Under our policy of continuous product development, product specifications may change without notice. Prospective purchasers should therefore check with their retailer to ensure this publication correctly describes the products that are being offered for sale. All information supplied is to be used for general reference purposes only and is on the understanding that Electrolux Home Products Pty Ltd (Australia) and Electrolux (NZ) Ltd (New Zealand) will not be liable for any loss, liability or damage of whatever kind arising as a result of reliance on such information. Colours of products illustrated are as close as printing limitations allow. Electrolux will at all times comply with its obligations pursuant to law including Trade Practices (Australian Consumer Law) Act and Regulations.

WARRANTY

This warranty only applies to Appliances purchased and used in Australia or New Zealand and used in normal domestic applications and is in addition to (and does not exclude, restrict, or modify in any way) any non-excludable statutory warranties in Australia or New Zealand. All warranties are subject to the conditions set out in the warranty card accompanying the product when purchased.

ELECTROLUX HOME PRODUCTS AUSTRALIA

telephone: 1300 363 640

fax: 1800 350 067

email: customercare@electrolux.com.au

web: www.electrolux.com.au

ELECTROLUX HOME PRODUCTS NEW ZEALAND

telephone: 09 573 2230

fax: 09 573 2221

email: customercare@electrolux.co.nz

web: www.electrolux.co.nz