

**86cm integrated rangehood in dark stainless steel with baffle filter, Hob2Hood, and maximum airflow of 710 m<sup>3</sup>/hr.**



## Product Details

### FEATURES

---

Fingerprint resistant dark stainless steel finish

Baffle filter

Hob2Hood technology

Max airflow of 710m<sup>3</sup>/h

Operation noise as low as 50dB(A)

Electronic pushbutton controls

Dishwasher safe filters

3 speed fan + Boost Function

LED lighting

---

### BENEFITS

---

#### The hands free hood

When paired with a compatible Electrolux extractor hood, the Hob2Hood automatically switches it on as you start cooking and adjusts the fan speed based on how you are using your hob. This means you can boil, sear or stir-fry without having to touch your hood with greasy fingers.

#### Maximise your airflow

Remove odours and vapours quickly and efficiently with a high airflow rate of 710m<sup>3</sup>/h

#### Keep the noise down

With noise levels as low as 53dB(A), keep the conversation going smoothly when entertaining guests.

---

## Specifications

### PRODUCT PROFILE

---

Domestic warranty details (yrs)	2
---------------------------------	---

---

Type of Rangehood	integrated
-------------------	------------

---

Nominal width (cm)	900
--------------------	-----

---

Finish of Rangehood	Dark stainless steel
---------------------	----------------------

---

### DIMENSIONS

---

Total product height (mm)	329
---------------------------	-----

---

Total product width (mm)	860
--------------------------	-----

---

Total product depth (mm)	300
--------------------------	-----

---

Diameter of ducting (mm)	150
--------------------------	-----

---

Minimum installation height from cooking surface Gas (mm)	650
---	-----

---

### MOTOR/FAN

---

Number of fans	2
----------------	---

---

Number of fans speeds	3
-----------------------	---

---

Variable speed control	Yes
------------------------	-----

---

Type of motor	tangential
---------------	------------

---

Maximum airflow M3/Hr	710
-----------------------	-----

---

Noise level dB high	67
---------------------	----

---

Noise level dB low	50
--------------------	----

---

### CONTROLS

---

Control panel	electronic push button
---------------	------------------------

---

Safety/ display indicators	clean filter indicator,automatic safety cut off,auto thermal cutout safety switch
----------------------------	---

---

LED speed display	No
-------------------	----

---

Hob2Hood function	Yes
-------------------	-----

---

## DIMENSIONS

---

Minimum installation height  
from cooking surface  
Electric (mm) 600

---

Cut out width (mm) 832

---

Cut out depth (mm) 259

---

Cut out height (mm) 329

---

## FILTERS

---

Number of filters 2

---

Type of filter stainless steel baffle

---

Dishwasher safe Yes

---

## DUCTING / RECIRCULATION

---

Ducting optional accessory

---

Top or rear duct hole top

---

Recirculation option Yes

---

Front recirculating option No

---

Ducting diameter (mm) 150

---

## LIGHTS

---

Number of lights 2

---

Wattage of light 2

---

Type of light LED

---

## SHIPPING

---

Shipping Volume (m3) 0.154

---

Shipping Weight (Kg) 10.5

---

Pack Dimensions Height  
(mm) 430

---

Pack Dimension Width  
(mm) 980

---

**SHIPPING**

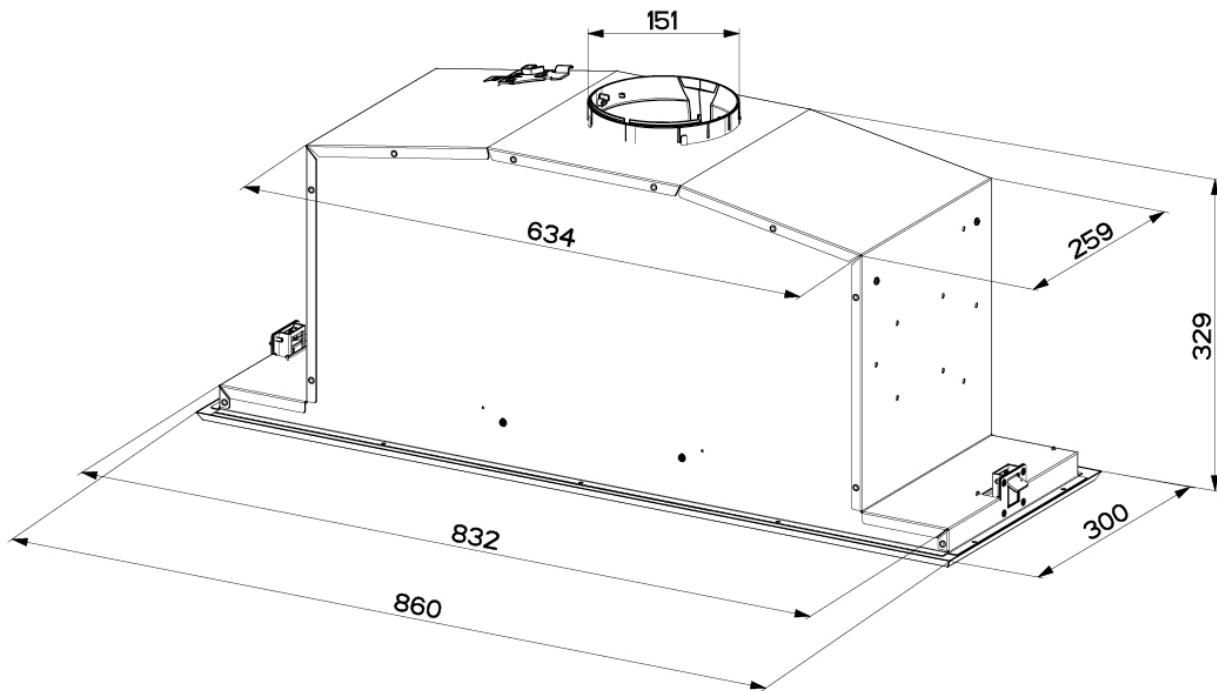
---

Pack Dimension Depth (mm)	365
------------------------------	-----

---

## Dimensions

**Model:**  
ERI935DSE



\*Unless specified in rangehood installation details.

## Terms and Conditions

### IMPORTANT

This is a guide of product dimensions only. For complete installation instructions, refer to the manual provided with product.

### PRODUCT INFORMATION

The descriptors and illustrations in this publication apply to the specific products and models described as at the date of issue. Under our policy of continuous product development, product specifications may change without notice. Prospective purchasers should therefore check with their retailer to ensure this publication correctly describes the products that are being offered for sale. All information supplied is to be used for general reference purposes only and is on the understanding that Electrolux Home Products Pty Ltd (Australia) and Electrolux (NZ) Ltd (New Zealand) will not be liable for any loss, liability or damage of whatever kind arising as a result of reliance on such information. Colours of products illustrated are as close as printing limitations allow. Electrolux will at all times comply with its obligations pursuant to law including Trade Practices (Australian Consumer Law) Act and Regulations.

### WARRANTY

This warranty only applies to Appliances purchased and used in Australia or New Zealand and used in normal domestic applications and is in addition to (and does not exclude, restrict, or modify in any way) any non-excludable statutory warranties in Australia or New Zealand. All warranties are subject to the conditions set out in the warranty card accompanying the product when purchased.

#### ELECTROLUX HOME PRODUCTS AUSTRALIA

telephone: 1300 363 640

fax: 1800 350 067

email: [customercare@electrolux.com.au](mailto:customercare@electrolux.com.au)

web: [www.electrolux.com.au](http://www.electrolux.com.au)

#### ELECTROLUX HOME PRODUCTS NEW ZEALAND

telephone: 09 573 2230

fax: 09 573 2221

email: [customercare@electrolux.co.nz](mailto:customercare@electrolux.co.nz)

web: [www.electrolux.co.nz](http://www.electrolux.co.nz)