

Built-in Combination Microwave

User manual



Electrolux

CONGRATULATIONS

Thank you for purchasing an Electrolux built in microwave combination oven. You've chosen a product that brings with it decades of professional experience and innovation. Ingenious and stylish, it has been designed with you in mind. So whenever you use it, you can be safe in the knowledge that you'll get great results every time.

Welcome to Electrolux.

BEFORE USING YOUR APPLIANCE

Check for any damage or marks. If you find the appliance damaged or marked you must report it within 7 days to claim for damages under the manufacturers warranty.

Before you use the appliance, we recommend that you read through the whole user manual which provides the description of the product and its functions. To avoid the risks that are always present when you use a gas appliance, it is important that the product is installed correctly and that you read the safety instructions carefully to avoid misuse and hazards.

For future reference, please store this booklet in a safe place.

This appliance complies with the requirements of Australian Standard AS/NZS 60335.2.6 and AS/NZS 60335.2.25.

CONDITIONS OF USE

This appliance is intended to be used in household and similar applications such as:

- Staff kitchen areas in shops, offices and other working environments
- Farm houses
- By clients in hotels, motels and other residential type environments
- Bed and breakfast type environments.

BEFORE YOU CALL

Please ensure you read the instruction manual fully before you call for service, or a full service fee could be applicable.

RECORD MODEL AND SERIAL NUMBER HERE:

Model number:

Serial number: _____

CONTENTS

General warnings _____	3
Safety instructions _____	4
Using the Microwave _____	6
Product description _____	7
Operation instructions _____	8
Installation of the door handle _____	13
Installation _____	14
Troubleshooting _____	17
Warranty _____	19

SYMBOLS



WARNING!

This symbol indicates information concerning your personal safety.



CAUTION!

This symbol indicates information on how to avoid damaging the appliance.



IMPORTANT!

This symbol indicates tips and information about use of the appliance.



ENVIRONMENT!

This symbol indicates tips and information about economical and ecological use of the appliance.

IMPORTANT INFORMATION THAT MAY IMPACT YOUR MANUFACTURER'S WARRANTY

Adherence to the directions for use in this manual is extremely important for health and safety. Failure to strictly adhere to the requirements in this manual may result in personal injury, property damage and affect your ability to make a claim under the Electrolux manufacturer's warranty provided with your product. Products must be used, installed and operated in accordance with this manual. You may not be able to claim on the Electrolux manufacturer's warranty in the event that your product fault is due to failure to adhere this manual.

GENERAL WARNINGS

Please read the user manual carefully and store in a handy place for later reference. Pass the user manual on to possible new owners of the appliance.

Read the following carefully to avoid damage or injury.

NOTE! You must read these warnings carefully before installing or using the appliance. If you need assistance, contact your Customer Care Department. The manufacturer will not accept liability, should these instructions or any other safety instructions incorporated in this book be ignored.

Children and vulnerable people safety.

WARNING!

Risk of suffocation, injury or permanent disability.

- This appliance is not intended for use by persons (including children) with reduced physical, sensory or mental capabilities, or lack of experience and knowledge, unless they have been given supervision or instruction concerning use of the appliance by a person responsible for their safety.
- Children should be supervised to ensure that they do not play with the appliance.
- Keep all packaging away from children.
- Keep children and pets away from the appliance when it operates or when it cools down. Accessible parts are hot.
- If the appliance has a child safety device, we recommend that you activate it if children are present.

WARNING!

Accessible parts may become hot during use. Young children should be kept away.

CAUTION!

It is important to use your appliance safely. Check these safety points before using your appliance.

General safety

- Internally the appliance becomes hot when in operation. Do not touch the heating elements that are in the appliance. Always use oven gloves to remove or put in accessories or oven ware.
- Do not use a steam cleaner to clean the appliance.
- Before maintenance isolate the power supply.

- If the door or door seals are damaged, the appliance must not be operated until it has been repaired by a competent person.
- Caution: In order to avoid a hazard due to inadvertent resetting of the thermal cut-out, this appliance must not be supplied through an external switching device, such as a timer, or connected to a circuit that is regularly switched on and off by the utility.
- Only a competent person can carry out any service or repair operation that involves the removal of a cover which gives protection against exposure to microwave energy.
- Do not heat liquids and other foods in sealed containers. They are liable to explode.
- Only use utensils that are suitable for use in microwave ovens.
- When heating food in plastic or paper containers, keep an eye on the appliance due to the possibility of ignition.
- The appliance is intended for heating food and beverages. Drying of food or clothing and heating of warming pads, slippers, sponges, damp cloth and similar may lead to risk of injury, ignition or fire.
- If smoke is emitted, switch off or unplug the appliance and keep the door closed in order to stifle any flames.
- Microwave heating of beverages can result in delayed eruptive boiling. Care must be taken when handling the container.
- The contents of feeding bottles and baby food jars should be stirred or shaken and the temperature checked before consumption, in order to avoid burns.
- Eggs in their shell and whole hard-boiled eggs should not be heated in the appliance since they may explode, even after microwave heating has ended.
- The appliance should be cleaned regularly and any food deposits removed.
- Failure to maintain the appliance in a clean condition could lead to deterioration of the surface that could adversely affect the life of the appliance and possibly result in a hazardous situation.
- Pay attention to the minimum dimensions of the cabinet (if applicable). Refer to the installation chapter.
- This appliance is not designed to be operated with a decorative door in front of the appliance, ensure the ventilation requirements in the installation section are met.
- Do not use harsh abrasive cleaners or sharp metal scrapers to clean the glass door since they can scratch the surface, which may result in shattering of the glass.
- If the supply cord is damaged, it must be replaced by the manufacturer, an authorised Service or similarly qualified persons in order to avoid a hazard.

SAFETY INSTRUCTIONS

- Do not attempt to operate this microwave oven with the door open since it can result in harmful exposure to microwave energy. It is important not to break or tamper with the safety interlocks.
- Do not place any object between the oven front face and the door or allow soil or cleaner residue to accumulate on the sealing surface.
- Take care to not displace the turntable when removing containers from the microwave oven.

WARNING!

Ensure the appliance is switched off before replacing the lamp to avoid the possibility of electric shock

WARNING!

Do not use the metal grill rack on microwave function, it may cause sparks. Only use the grill rack on grill or convection oven modes.

Specifications

Model:	EMB2529DSE
Rated Voltage:	230-240V ~50Hz
Rated Input Power (Microwave):	1400-1450W
Rated Output Power (Microwave):	850-900W
Rated Input Power (Grill):	1000-1100W
Rated Input Power (Convection):	2300-2400W
Oven Capacity:	25L
Turntable Diameter:	Ø 315mm
External Dimensions:	595 x 470 x 388mm
Net Weight:	Approx. 21.5 kg

READ CAREFULLY AND KEEP FOR FUTURE REFERENCE

To Reduce the Risk of Injury to Persons Grounding Installation

DANGER!

Electric Shock Hazard

Touching some of the internal components can cause serious personal injury or death. Do not disassemble this appliance.

WARNING!

Electric Shock Hazard

Improper use of the grounding can result in electric shock. Do not plug into an outlet until appliance is properly installed and grounded. This appliance must be grounded. In the event of an electrical short circuit, grounding reduces the risk of electric shock by providing an escape wire for the electric current.

This appliance is equipped with a cord having a grounding wire with a grounding plug. The plug must be plugged into an outlet that is properly installed and grounded. Consult a qualified electrician or serviceman if the grounding instructions are not completely understood or if doubt exists as to whether the appliance is properly grounded. Do not connect this appliance using an extension cord.

USING THE MICROWAVE

CLEANING

Be sure to unplug the appliance from the power supply.

1. Clean the cavity of the oven after using with a slightly damp cloth.
2. Clean the accessories in the usual way in soapy water.
3. The door frame and seal and neighbouring parts must be cleaned carefully with a damp cloth when they are dirty.
4. Do not use harsh abrasive cleaners or sharp metal scrapers to clean the oven door glass since they can scratch the surface, which may result in shattering of the glass.
5. Cleaning Tip---For easier cleaning of the cavity walls that the food cooked can touch: Place half a lemon in a bowl, add 300ml (1/2 pint) water and heat on 100% microwave power for 10 minutes. Wipe the oven clean using a soft, dry cloth.

UTENSILS

Utensil Test:

1. Fill a microwave-safe container with 1 cup of cold water (250ml) along with the utensil in question.
2. Cook on maximum power for 1 minute.
3. Carefully feel the utensil. If the empty utensil is warm, do not use it for microwave cooking.
4. Do not exceed 1 minute cooking time.

MATERIALS YOU CAN USE IN MICROWAVE OVEN

Utensils	Remarks
Aluminum foil	Shielding only. Small smooth pieces can be used to cover thin parts of meat or poultry to prevent overcooking. Arcing can occur if foil is too close to oven walls. The foil should be at least 1 inch (2.5cm) away from oven walls.
Browning dish	Follow manufacturer's instructions. The bottom of browning dish must be at least 3/16 inch (5mm) above the turntable. Incorrect usage may cause the turntable to break.
Dinnerware	Microwave-safe only. Follow manufacturer's instructions. Do not use cracked or chipped dishes.
Glass jars	Always remove lid. Use only to heat food until just warm. Most glass jars are not heat resistant and may break
Glassware	Heat-resistant oven glassware only. Make sure there is no metallic trim. Do not use cracked or chipped dishes.
Oven cooking bags	Follow manufacturer's instructions. Do not close with metal tie. Make slits to allow steam to escape.
Paper plates and cups	Use for short-term cooking/warming only. Do not leave oven unattended while cooking.
Paper towels	Use to cover food for reheating and absorbing fat. Use with supervision for a short-term cooking only
Parchment paper	Use as a cover to prevent splattering or a wrap for steaming.
Plastic	Microwave-safe only. Follow the manufacturer's instructions. Should be labeled "Microwave Safe". Some plastic containers soften, as the food inside gets hot. "Boiling bags" and tightly closed plastic bags should be slit, pierced or vented as directed by package.
Plastic wrap	Microwave-safe only. Use to cover food during cooking to retain moisture. Do not allow plastic wrap to touch food.
Thermometers	Microwave-safe only (meat and candy thermometers).
Wax paper	Use as a cover to prevent splattering and retain moisture.

MATERIALS TO BE AVOIDED IN MICROWAVE OVEN

Utensils	Remarks
Aluminum tray	May cause arcing. Transfer food into microwave-safe dish.
Food carton with metal handle	May cause arcing. Transfer food into microwave-safe dish.
Metal or metal trimmed utensils	Metal shields the food from microwave energy. Metal trim may cause arcing.
Metal twist ties	May cause arcing and could cause a fire in the oven.
Paper bags	May cause a fire in the oven.
Plastic foam	Plastic foam may melt or contaminate the liquid inside when exposed to high temperature.
Wood	Wood will dry out when used in the microwave oven and may split or crack.

USING THE MICROWAVE

Names of Oven Parts and Accessories





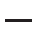



Remove the oven and all materials from the carton and oven cavity.

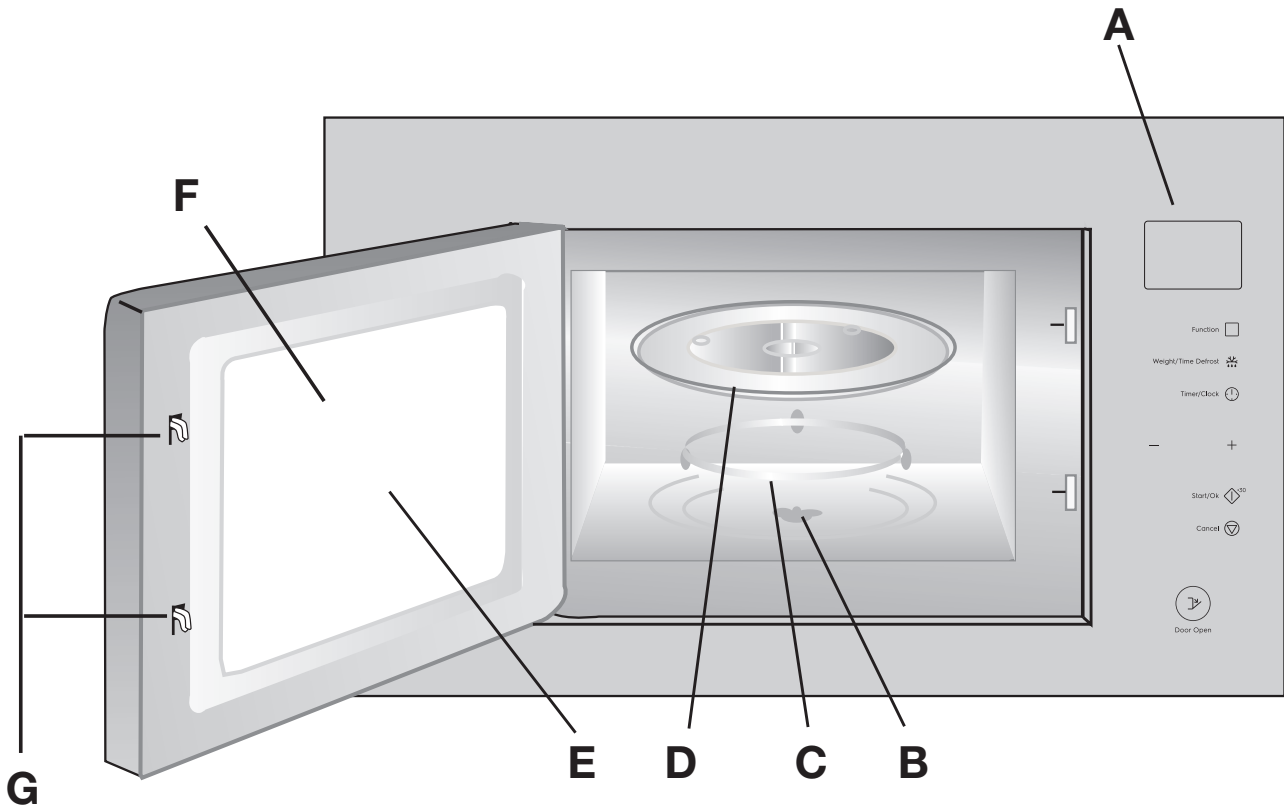
Your oven comes with the following accessories:

- Glass tray x 1
- Turntable ring assembly x 1
- Instruction Manual x 1
- Suction cup for emergency door opening x 1
- Wire grill rack

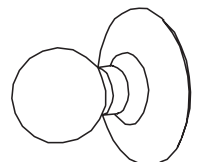
- A) Control panel (pictured right)
- B) Turntable shaft
- C) Turntable ring assembly
- D) Glass tray
- E) Observation window
- F) Door assembly
- G) Safety interlock system

Control panel

-  Function
-  Weight/Time Defrost
-  Timer/Clock
-  Plus
-  Minus
-  Start/Ok/+30
-  Cancel
-  Door Open



Suction cup



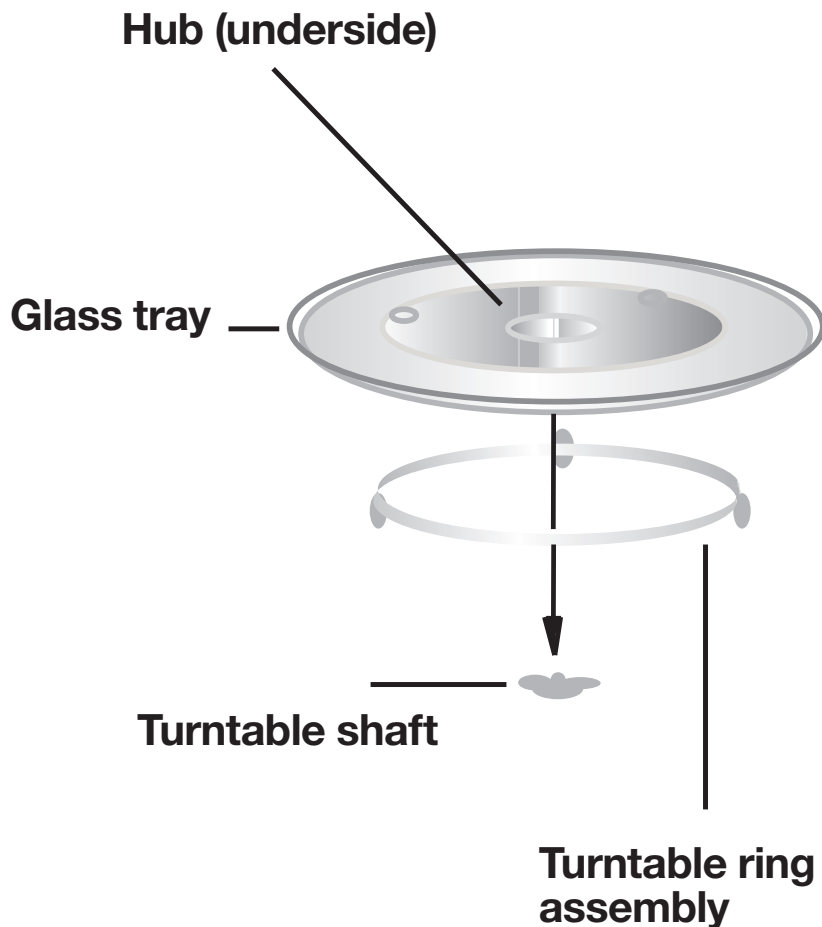
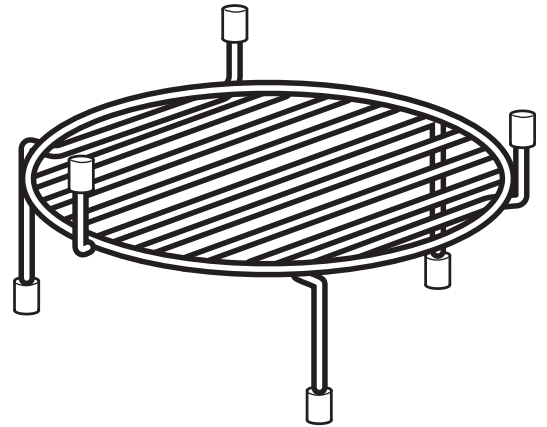
PRODUCT DESCRIPTION

Turntable Installation

- A. Never place the glass tray upside down.
The glass tray should never be restricted.
- B. Both glass tray and turntable ring assembly must always be used during cooking.
- C. All food and containers of food must always be placed on the glass tray for cooking.
- D. If glass tray or turntable ring assembly cracks or breaks, contact your nearest authorized service center.
- E. When using the wire grill rack, place it on the glass tray

WARNING!

The wire grill rack is not suitable for use on microwave only mode, it can be used on grill, convection and combi (includes short burst of microwave, which is ok) cooking modes only. Using this wire grill rack on microwave only mode may cause damage to the appliance.



INSTRUCTIONS

Operation Instructions

1. Clock Setting

When the microwave oven is powered on, the screen will display "0:00", and the buzzer will ring once.

- 1) Press "Timer/Clock" twice to select clock function, the hour figures will flash.
- 2) Press "+" or "-" to adjust the hour figures, the input time should be within 0--23.
- 3) Press "Timer/Clock", the minute figures will flash.
- 4) Press "+" or "-" to adjust the minute figures, the input time should be within 0--59.
- 5) Press "Timer/Clock" to finish clock setting. ":" will flash, and the time will light.

Note: 1) The clock function will not work if the clock is not set.

2) During the process of clock setting, if you press "stop/clear", the oven will go back to the previous status automatically.

2. Microwave Cooking

Press "Function" once, the screen will display "P100".

Press "Function" repeatedly or press "+" or "-" to choose the power you want, and "P100", "P80", "P50", "P30" or "P10" will display for each added press. Then press "Start/OK/+30" to confirm, and press "+" or "-" to set cooking time from 0:05 to 95:00. Press "Start/OK/+30" again to start cooking.

Example: If you want to use 80% microwave power to cook for 20 minutes, you can operate the oven with the following steps:

- 1) Press "Function" once, the screen displays "P100".
- 2) Press "Function" once again or press "-" to choose 80% microwave power.
- 3) Press "Start/OK/+30" to confirm, and the screen displays "P 80".
- 4) Press "+" or "-" to adjust the cooking time until the oven displays "20:00".
- 5) Press "Start/OK/+30" to start cooking.

Note: The time steps when adjusting the time vary depending on the total cooking time selected, the adjustment steps increase as the total cooking time increases as per below:

0---1 min	:	5 seconds
1---5 min	:	10 seconds
5---10 min	:	30 seconds
10---30 min	:	1 minute
30---95 min	:	5 minutes

Microwave power level settings

Order	Display	Microwave Power
1	P100	100%
2	P80	80%
3	P50	50%
4	P30	30%
5	P10	10%

INSTRUCTIONS CONTINUED

Operation Instructions

3. Grill or Combi. Cooking

Press "Function" repeatedly, it will cycle through the programs "G", "C-1", "C-2", "C-3", and "C-4". Press "Start/OK/+30" to confirm your chosen program, then press "+" or "-" to set the cooking time from 0:05 to 95:00. Press "Start/OK/+30" again to start cooking.

Note: After half the grill time passes, the buzzer sounds twice. This is normal. In order to achieve even grilling results, it is recommended that you turn the food over, close the door and then press "Start/OK/+30". If you do nothing, the oven will continue working as is until the cooking time has ended.

Display	Microwave	Grill	Convection
C-1	●		●
C-2	●	●	
C-3		●	●
C-4	●	●	●

4. Convection Cooking (With preheating function)

The convection cooking function can allow you to cook food as in a traditional oven, without microwave function. It is recommended that you should preheat the oven to the appropriate temperature before placing the food in the oven.

- 1) Press "Function" repeatedly until 130 degrees is displayed.
- 2) Press "+" or "-" to select the desired convection temperature. The temperature can be chosen from 130 degrees to 220 degrees.
- 3) Press "Start/OK/+30" to confirm the temperature.
- 4) Press "Start/OK/+30" to start preheating. When the preheating temperature is reached, the buzzer will sound twice to remind you to put the food into the oven, while the preheated temperature is flashing.
- 5) Put the food into the oven and close the door. Press "+" or "-" to adjust the cooking time. (The maximum setting time is 95 minutes.)
- 6) Press "Start/OK/+30" key to start cooking.

Note: a. Cooking time cannot be input until the preheating temperature is reached. After the set temperature is reached the door must be opened and food put in then door closed in order to input the cooking time.

b. If there is no time input within 5 minutes, the oven will stop preheating. The buzzer sound five times and the program will be cancelled and return to displaying the current time.

5. Convection Cooking (without preheating function)

- 1) Press "Function" repeatedly until 130 degrees displays.
- 2) Press "+" or "-" to select the convection temperature. When convection temperature displays, it indicates convection function. The temperature can be chosen from 130 degrees to 220 degrees.
- 3) Press the "Start/OK/+30" to confirm the temperature
- 4) Press "+" or "-" to adjust the cooking time. (The maximum setting time is 95 minutes.)
- 5) Press the "Start/OK/+30" key to start cooking.

INSTRUCTIONS CONTINUED

6. Defrost By Weight

- 1) Press "Weigh/Time Defrost" once, and the oven will display "dEF1".
- 2) Press "+" or "-" to select the weight of food from 100 to 2000 g.
- 3) Press "Start/OK/+30" to start defrosting.

7. Defrost By Time

- 1) Press "Weigh/Time Defrost" twice, and the oven will display "dEF2".
- 2) Press "+" or "-" to select the defrost time. The MAX time is 95 minutes.
- 3) Press "Start/OK/+30" to start defrosting. The defrost power is set to P30 (30% of max power), and it cannot be changed.

8. Kitchen Timer

- 1) Press "Timer/Clock" once, the screen will display 00:00.
- 2) Press "+" or "-" to enter the desired timer time (max 95 minutes).
- 3) Press "Start/OK/+30" to confirm setting.
- 4) When the set kitchen time is reached, the buzzer will ring 5 times to indicate the time is up. If the clock has been set (24-hour system), the screen will display the current time.

9. Auto Program

- 1) Press "+" or "-" to choose the desired auto program, "A1" to "A10" will be displayed. Refer to the Auto Program table on page 14 for explanation of the Auto Programs.
- 2) Press "Start/OK/+30" to confirm.
- 3) Press "+" or "-" to choose the default weight as the menu chart.
- 4) Press "Start/OK/+30" to start cooking.

INSTRUCTIONS CONTINUED

Auto Program table:

Menu	Weight	Display	Power
A1 AUTO REHEAT	150g	150	100%
	250g	250	
	350g	350	
	450g	450	
	600g	600	
A2 POTATO	1 (about 230g)	1	100%
	2 (about 460g)	2	
	3 (about 690g)	3	
A3 MEAT	150g	150	100%
	300g	300	
	450g	450	
	600g	600	
A4 VEGETABLE	150g	150	100%
	350g	350	
	500g	500	
A5 FISH	150g	150	80%
	250g	250	
	350g	350	
	450g	450	
	650g	650	
A6 PASTA	50g(with 450g cold water)	50	80% Microwave
	100g(with 800g coldwater)	100	
	150g(with 1200g cold water)	150	
A7 SOUP	200ml	200	100%
	400ml	400	
	600ml	600	
A8 CAKE	475g	475	Preheat to 180°C
A9 PIZZA	200g	200	C-4
	300g	300	
	400g	400	
A10 CHICKEN	500g	500	C-4
	750g	750	
	1000g	1000	
	1200g	1200	

INSTRUCTIONS CONTINUED

10. Quick start cooking

- 1) In standby, press “Start/OK/+30” key to cook with 100% power level for 30 seconds. Each press on the same key can increase 30 seconds. The maximum cooking time is 95 minutes.
- 2) During the microwave, grill, convection, combination cooking and the defrost by time process, press “Start/OK/+30” to increase the cooking time.
- 3) In standby, press “-” to set maximum (95 minutes) cooking time with 100% microwave power, then press “Start/OK/+30” to start cooking. Take care to monitor the food closely to prevent over cooking if using this cooking mode.

Note: When using the Auto Program and defrost by weight functions, the cooking time be increased by pressing “Start/OK/+30”.

11. Inquiring Function

- 1) When a cooking cycle is running in microwave, grill, combination or convection modes, press the “Function” button to display the current power level or set temperature for 2-3 seconds.
- 2) When a cooking cycle is running, press the “Timer/Clock” to display the current clock time for 2-3 seconds.

12. Child Lock Function

When in standby, press and hold the “Cancel” button for 3 seconds, there will be a long beep and a key symbol on the display to indicate that the oven is in child lock mode, the current time or 0:00 will be displayed.

To turn off the child lock, press and hold the “Cancel” button for 3 seconds, there will be a long beep to indicate child lock has been disabled, and the lock symbol will be removed from the display.


13. Tips

- 1) If the door is opened mid cooking cycle, the door must be closed then press the “Start/OK/+30” button to continue the cooking cycle.
- 2) Once the cooking programme has been set, if the “Start/OK/+30” has not been pressed within 5 minutes, it will cancel the program and the current time will be displayed. The setting will be cancelled.
- 3) If a button press is not detected, there will be no beep sound, press the button again until a beep sound is heard confirming the button press was registered.
- 4) The buzzer will sound five times to remind you when cooking is finished.

14. The oven lamp

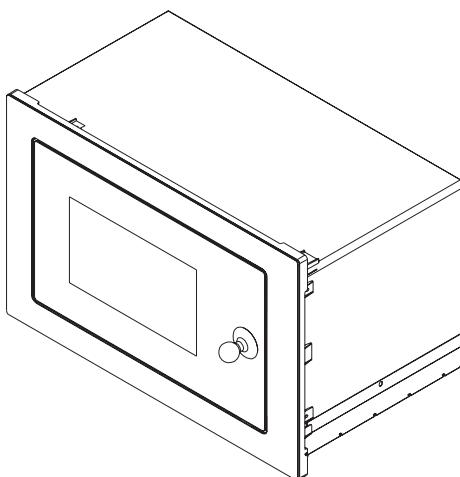
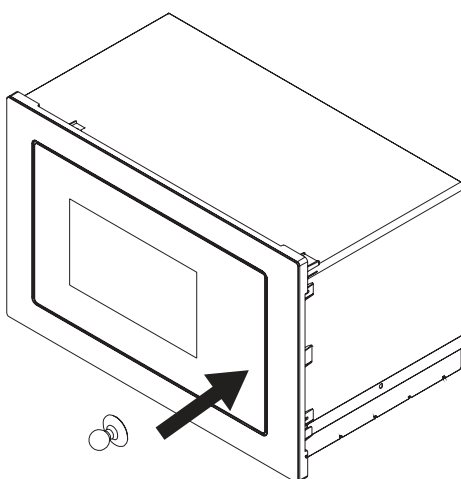
After cooking, the oven lamp will turn off if the door is closed. If the door is opened over 10 minutes without any operation, the lamp will turn off automatically.

16. Open the oven door

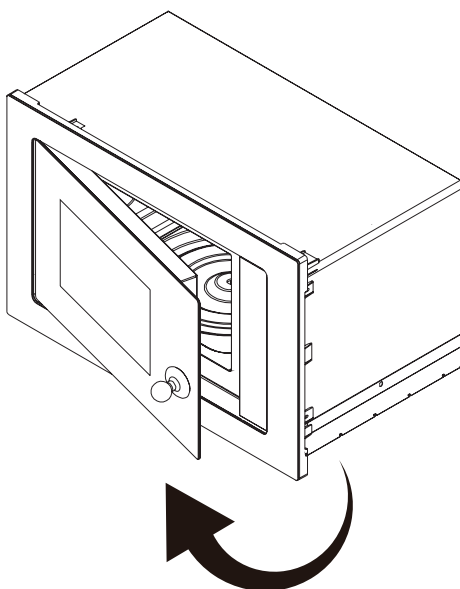
Press “” button, the oven door will be opened. If the button does not work, please open the door using the supplied suction cup, refer to the following figures for instructions on how to use it.

USING THE SUCTION CUP TO OPEN THE DOOR

Using the suction cup supplied, press firmly on the door surface near the control panel as pictured



Pull on the suction cup handle to open the door



INSTALLATION

Installation Instructions

IMPORTANT! Please note: Electrical connection

Installation and connection

1. This appliance is only intended for domestic use.
2. This oven is intended for built-in use only. It is not intended for counter-top use or for use inside a cupboard.
3. Please observe the special installation instructions.
4. The appliance can be installed in a 60cm wide wall mounted cupboard.
5. The appliance is fitted with a plug and must only be connected to a properly installed earthed socket.
6. The mains voltage must correspond to the voltage specified on the rating plate.
7. The socket must be installed and connecting cable must only be replaced by a qualified electrician. If the plug is no longer to accessible following installation, an accessible all pole isolation switch must be present on the installation side with a contact gap of at least 3mm.
8. Adapters, multi-way strips and extension leads must not be used. Overloading can result in a risk of fire.

The accessible surface may be hot during operation.



The fitted cabinet must not have a back wall behind the appliance.

A gap must be maintained between the wall and the base of the unit above. Specific gap size could be referenced by the diagrams.

Install at a minimum height of 85cm above the floor to avoid accidental contact and risk of burns to young children.

Do not cover ventilation slots and suction holes.

Note: Ensure the power cable is not kinked or trapped.

CAUTION!

Do not block the air vents. If you do that, the appliance can overheat.

CAUTION!

Do not connect the appliance to adapters or extension leads. This can cause overloading and risk of fire.

- Model EMB2529DSE is for built-in use only.
- The fitted cabinet must not have a back wall behind the appliance.
- Put the appliance far away from steam, hot air and water splashes.
- If the appliance is stored/ transported at sub-zero temperatures, do not activate it immediately after installation. Allow at least two hours for it to be brought up to room temperature before turning on the unit.

INSTALLATION

Installation - Built-in model EMB2529DSE

For the best integration within a kitchen, install this appliance in a standard 600mm wide cupboard that gives a flush fit with the surrounding cupboard fronts. A recess of 20mm is ideal.

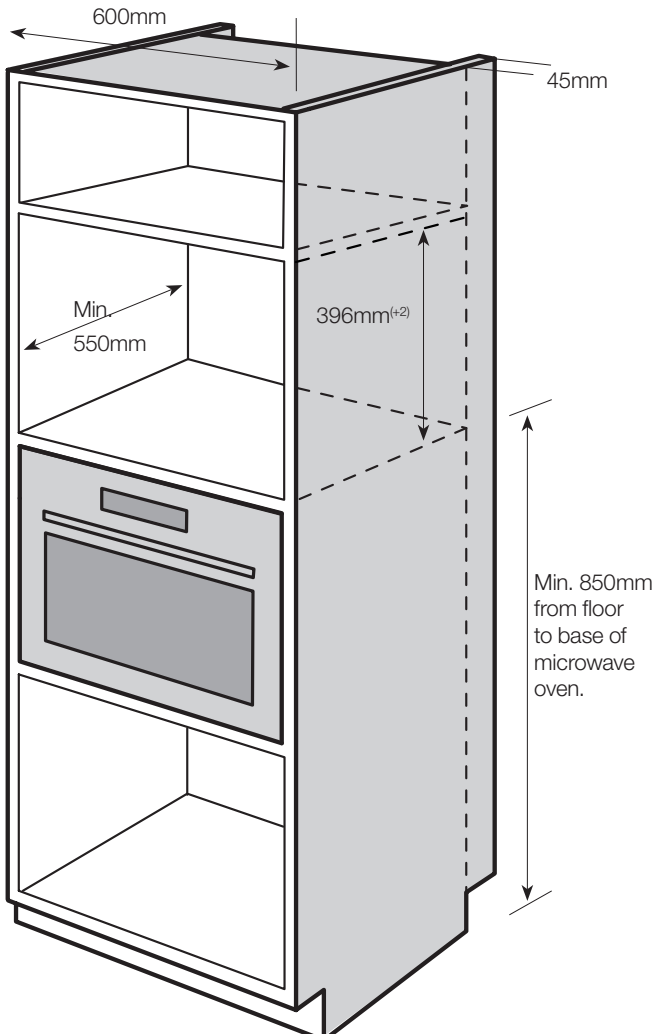
The built-in cabinet must not have a rear wall behind the appliance. Do not cover ventilation slots and air intake points.

NOTE: Your appliance must be mounted on a flat surface for the full width and depth of the product.

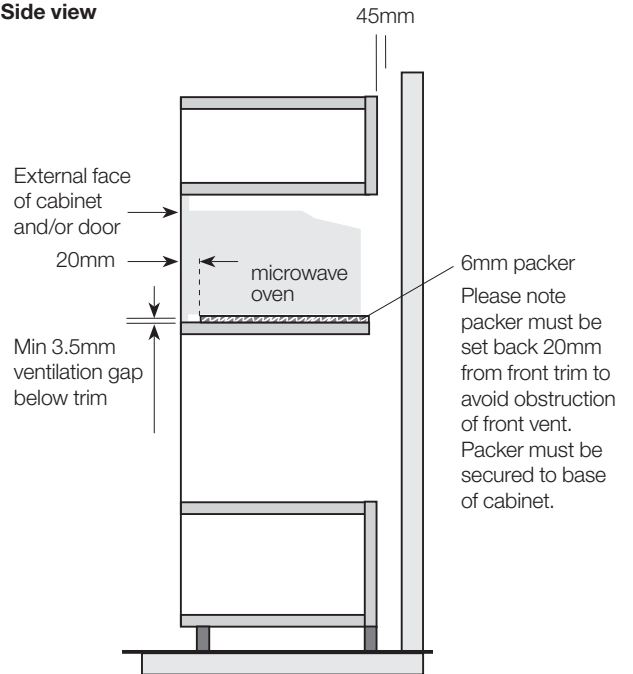
A 45mm ventilation gap must be left between the built-in cabinetry and wall with no back panelling on the cabinet housing the microwave oven. A ventilation gap of min. 3.5mm must be left between the bottom of the front trim and adjacent shelf/cupboard).

Failure to accommodate for this gap in the installation can cause product malfunctions which are not covered under warranty.

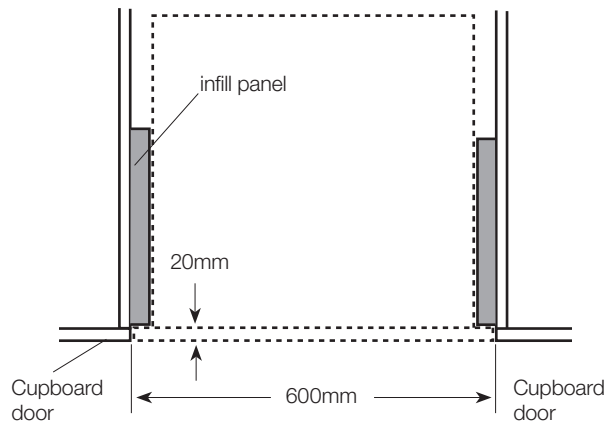
Built-in furniture - flush fit



Side view



Flush fit top view

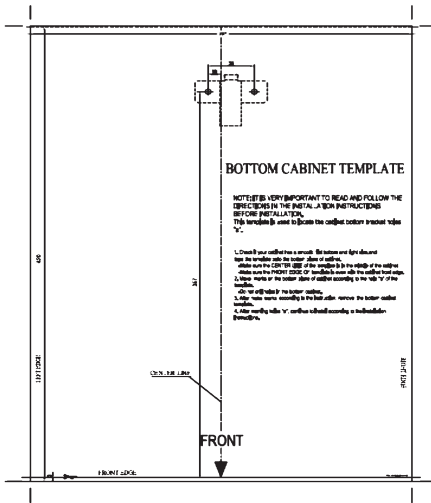


Infill panels are recessed 20mm from the external cabinet door to accommodate flush fit.

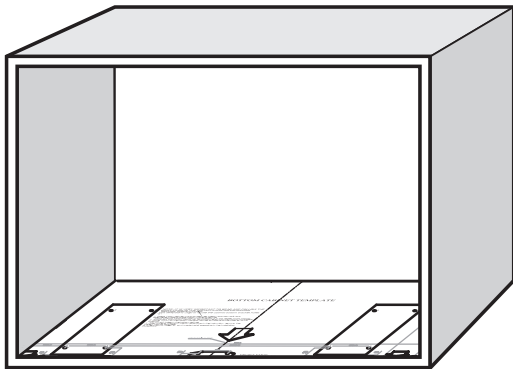
INSTALLATION

Preparing the cabinet

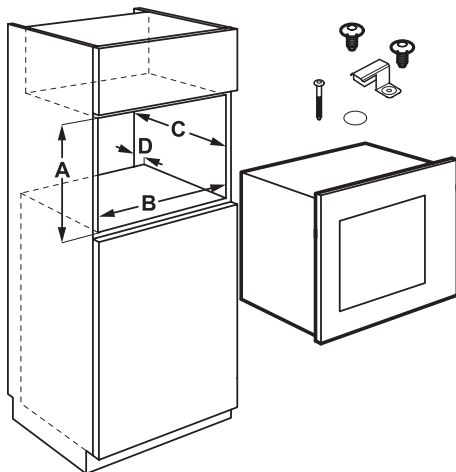
Read the instructions on the bottom cabinet template and place the template on the bottom plane of the cabinet.



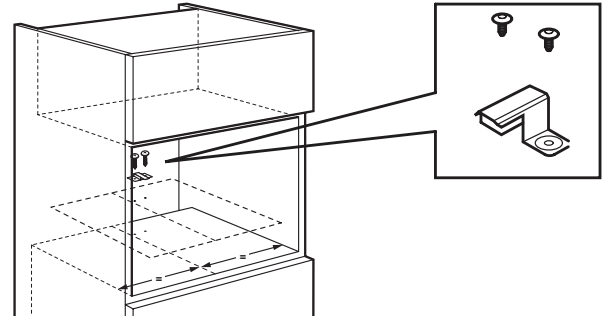
1. With a pencil, make marks on the bottom plane of the template according to the marks 'a' on the template.



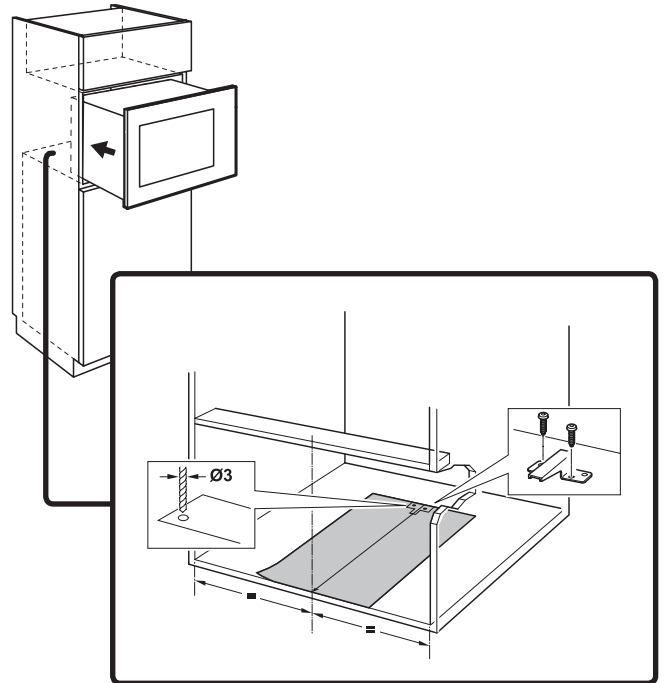
2. Check if the dimensions of the furniture meet the installation distances. Check screws provided.



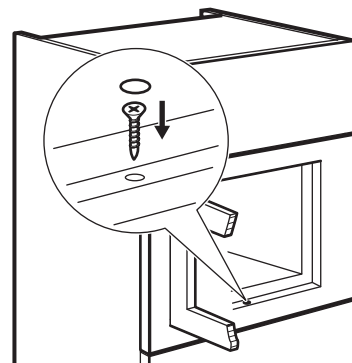
3. Put the template on the bottom of the cabinet and mark the spots for screws. Remove the template and fix the bracket with the screws.



4. Install the appliance. Make sure the bracket locks the back of the appliance.



5. Open the door and fix the appliance to the cabinet with a screw.



TROUBLESHOOTING

Normal	
The microwave oven is interfering with TV reception.	Radio and TV reception may be interfered interfered with when the microwave oven is operating too close to the TV. This is similar to the interference caused from small appliances such as mixers, vacuum cleaners and electric fans. It is normal and not a product fault. Move the appliances further apart if possible to minimise the disruption.
Dim oven light.	In low power microwave cooking, oven light may become dim. It is normal.
Steam accumulating on door, hot air out of vents.	During cooking, steam may be released from the food. Most of the steam will be vented out through the vents, however some steam may accumulate and condense on cool surfaces like the oven door, this is normal and is not a product fault.

Problem	Possible cause	Remedy
Oven can not be started.	(1) Power cord not plugged in tightly.	Unplug. Then plug again after 10 seconds.
	(2) Fuse blown or circuit breaker tripped.	Reset the circuit breaker, or have a suitable qualified person replace the fuse.
	(3) Problem with the power outlet.	Test the power outlet with another appliance, if there is a problem with the power outlet it must be fixed by a suitable qualified technician.
Oven does not heat	(4) Oven started accidentally with no food in.	It is forbidden to run the microwave without any food inside. This is very dangerous and could damage the appliance or the user.



According to Waste of Electrical and Electronic Equipment (WEEE) directive, WEEE should be separately collected and treated. If at any time in future you need to dispose of this product please do NOT dispose of this product with household waste. Please send this product to WEEE collecting points where available.



FOR SALES IN AUSTRALIA AND NEW ZEALAND
 APPLIANCE: ELECTROLUX BUILT-IN CONVECTION MICROWAVE
 AND BUILT-IN WARMING DRAWER

This document sets out the terms and conditions of the product warranties for Electrolux Appliances. It is an important document. Please keep it with your proof of purchase documents in a safe place for future reference should there be a manufacturing defect in your Appliance. This warranty is in addition to other rights you may have under the Australian Consumer Law.

1. In this warranty:

- (a) 'ACL' or 'Australian Consumer Law' means Schedule 2 to the Competition and Consumer Act 2010;
- (b) 'Appliance' means any Electrolux product purchased by you and accompanied by this document;
- (c) 'ASC' means Electrolux's authorised serviced centres;
- (d) 'Westinghouse' is the brand controlled by Electrolux Home Products Pty Ltd of 163 O'Riordan Street, Mascot NSW 2020, ABN 51 004 762 341 in respect of Appliances purchased in Australia and Electrolux (NZ) Limited (collectively "Electrolux") of 3-5 Niall Burgess Road, Mount Wellington, in respect of Appliances purchased in New Zealand;
- (e) 'Warranty Period' means the period specified in clause 3 of this warranty;
- (f) 'you' means the purchaser of the Appliance not having purchased the Appliance for re-sale, and 'your' has a corresponding meaning.

2. Application: This warranty only applies to new Appliances, purchased and used in Australia or New Zealand and is in addition to (and does not exclude, restrict, or modify in any way) other rights and remedies under a law to which the Appliances or services relate, including any non-excludable statutory guarantees in Australia and New Zealand.

3. Warranty Period: Subject to these terms and conditions, this warranty continues for in Australia for a period of 24 months and in New Zealand for a period of 24 months, following the date of original purchase of the Appliance.

4. Repair or replace warranty: Repair or replace warranty: During the Warranty Period, Electrolux or its ASC will, at no extra charge if your Appliance is readily accessible for service, without special equipment and subject to these terms and conditions, repair or replace any parts which it considers to be defective. Electrolux or its ASC may use refurbished parts to repair your Appliance. You agree that any replaced Appliances or parts become the property of Electrolux

5. Travel and transportation costs: Subject to clause 7, Electrolux will bear the reasonable cost of transportation, travel and delivery of the Appliance to and from Electrolux or its ASC. Travel and transportation will be arranged by Electrolux as part of any valid warranty claim.

6. Proof of purchase is required before you can make a claim under this warranty.

7. Exclusions: You may not make a claim under this warranty unless the defect claimed is due to faulty or defective parts or workmanship. This warranty does not cover:

- (a) light globes, batteries, filters or similar perishable parts;
- (b) parts and Appliances not supplied by Electrolux;
- (c) cosmetic damage which does not affect the operation of the Appliance;
- (d) damage to the Appliance caused by:
 - (i) negligence or accident;

- (ii) misuse or abuse, including failure to properly maintain or service;
- (iii) improper, negligent or faulty servicing or repair works done by anyone other than an Electrolux authorised repairer or ASC;
- (iv) normal wear and tear;
- (v) power surges, electrical storm damage or incorrect power supply;
- (vi) incomplete or improper installation;
- (vii) incorrect, improper or inappropriate operation;
- (viii) insect or vermin infestation;
- (ix) failure to comply with any additional instructions supplied with the Appliance;

In addition, Electrolux is not liable under this warranty if:

- (a) the Appliance has been, or Electrolux reasonably believes that the Appliance has been, used for purposes other than those for which the Appliance was intended, including where the Appliance has been used for any non-domestic purpose;
- (b) the Appliance is modified without authority from Electrolux in writing;
- (c) the Appliance's serial number or warranty seal has been removed or defaced.

8. How to claim under this warranty: To enquire about claiming under this warranty, please follow these steps:

- (a) carefully check the operating instructions, user manual and the terms of this warranty;
- (b) have the model and serial number of the Appliance available;
- (c) have the proof of purchase (e.g. an invoice) available;
- (d) telephone the numbers shown below.

9. Australia: For Appliances and services provided by Electrolux in Australia: Electrolux goods come with guarantees that cannot be excluded under the Australian Consumer Law. You are entitled to a replacement or refund for a major failure and for compensation for any other reasonably foreseeable loss or damage. You are also entitled to have the Appliance repaired or replaced if the Appliance fails to be of acceptable quality and the failure does not amount to a major failure. 'Acceptable quality' and 'major failure' have the same meaning as referred to in the ACL.

10. New Zealand: For Appliances and services provided by Electrolux in New Zealand, the Appliances come with a guarantee by Electrolux pursuant to the provisions of the Consumer Guarantees Act, the Sale of Goods Act and the Fair Trading Act. Where the Appliance was purchased in New Zealand for commercial purposes the Consumer Guarantee Act does not apply.

11. Confidentiality: You accept that if you make a warranty claim, Electrolux and its agents including ASC may exchange information in relation to you to enable Electrolux to meet its obligations under this warranty. You accept that if you make a warranty claim, Electrolux and its agents including ASC may exchange information in relation to you to enable Electrolux to meet its obligations under this warranty. For more information on how we handle your personal information, see our privacy policy at www.electrolux.com.au/other/privacy/ and www.electrolux.co.nz/other/privacy/

Important Notice

Before calling for service, please ensure that the steps listed in clause 8 above have been followed.

<p>FOR SERVICE or to find the address of your nearest authorised service centre in Australia PLEASE CALL 13 13 49 For the cost of a local call (Australia only)</p>	<p>AUSTRALIA ELECTROLUX HOME PRODUCTS 163 O'Riordan Street, Mascot NSW 2020 electrolux.com.au</p>	<p>FOR SPARE PARTS or to find the address of your nearest spare parts centre in Australia PLEASE CALL 13 13 50 For the cost of a local call (Australia only)</p>
<p>FOR SERVICE or to find the address of your nearest authorised service centre in New Zealand PLEASE CALL 0800 10 66 10 (New Zealand only)</p>	<p>NEW ZEALAND ELECTROLUX (NZ) Limited 3-5 Niall Burgess Road, Mount Wellington electrolux.co.nz</p>	<p>FOR SPARE PARTS or to find the address of your nearest spare parts centre in New Zealand PLEASE CALL 0800 10 66 20 (New Zealand only)</p>

Electrolux Home Products Australia

telephone: 1300 363 640
fax: 1800 350 067
email: customercare@electrolux.com.au
web: electrolux.com.au

shop.electrolux.com.au



Electrolux Home Products New Zealand

telephone: 0800 436 245
fax: 0800 225 088
email: customercare@electrolux.co.nz
web: electrolux.co.nz



To add a touch of
professional inspiration
to your home, visit
electrolux.com.au
or electrolux.co.nz

electrolux.com.au



or electrolux.co.nz

