

Product serial number location

In order to find your product serial number, please refer to this document for guidance.

Contents

- 2** Electrolux product serial on box
- 3** Oven serial numbers
- 4** Rangehood serial numbers
- 5** Cooktop serial numbers
- 6** Freestanding cookers
- 7** Warming drawers
- 8** Microwaves
- 9** Fridge
- 10** Dishwashers
- 11** Wine cabinets

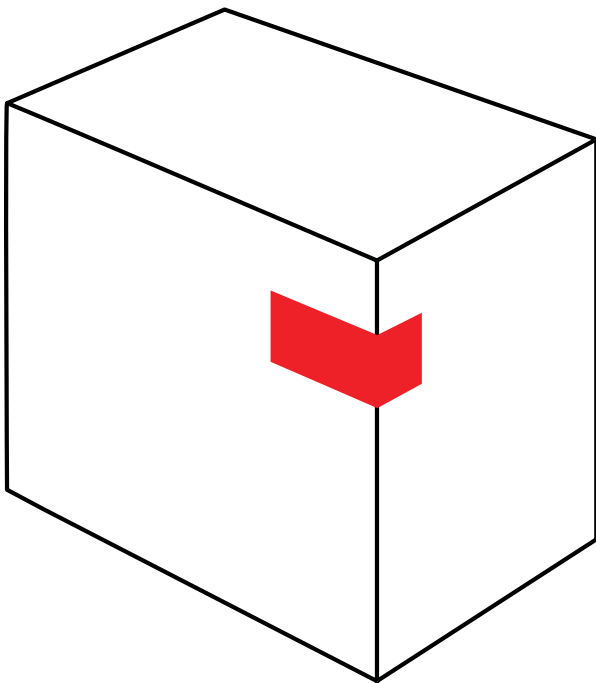


The red box indicates the location of the serial number.

Product serial number on boxes

On all Electrolux Home Products, the serial number of your product is located on a white sticker on the outside of the box.

The below example shows where you can find the serial number:

 The red box indicates the location of the serial number.

Product Code

The product code will be at the top of the sticker. The Product code will start with either of the following:

E - Electrolux (e.g. EVEP916DSD)



EVEP 916 DSD PRODUCT NUMBER

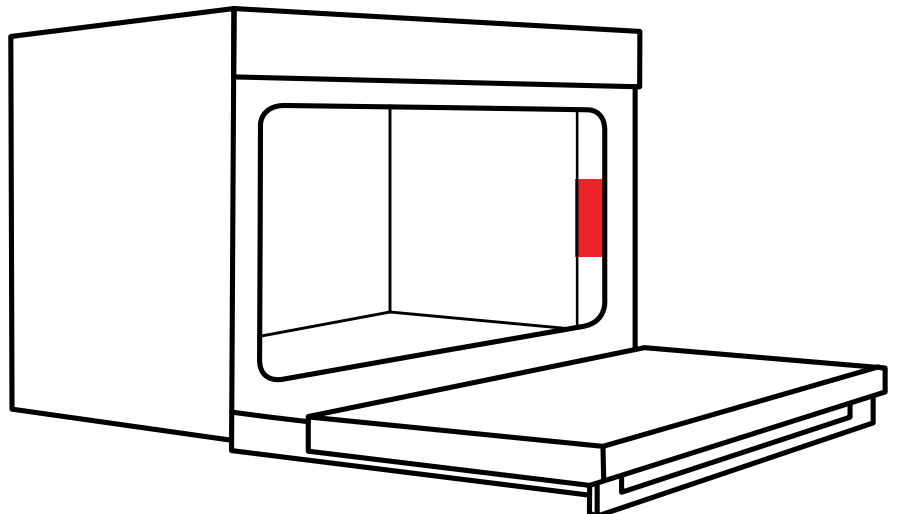
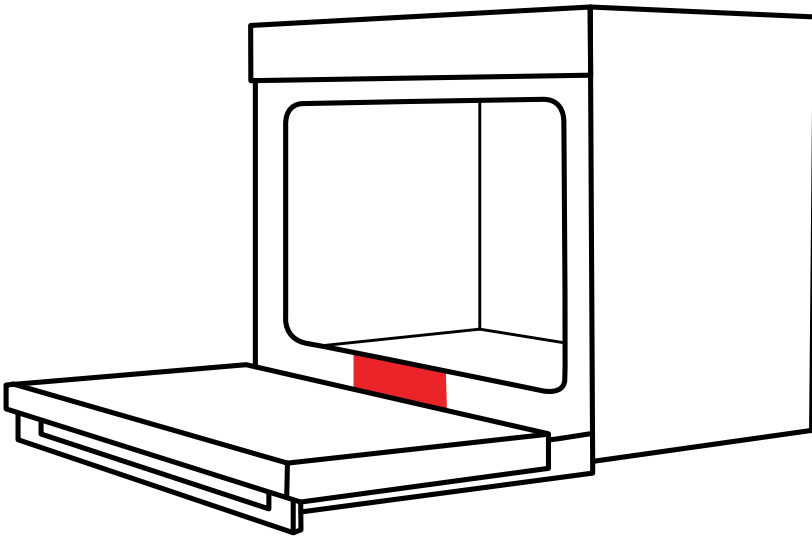
SERIAL NUMBER **019 20529**

Serial Number

The Serial Number is located on the label on the front, back or side of the appliance and is 8 numerical digits long (no characters or letters)

Oven serial numbers

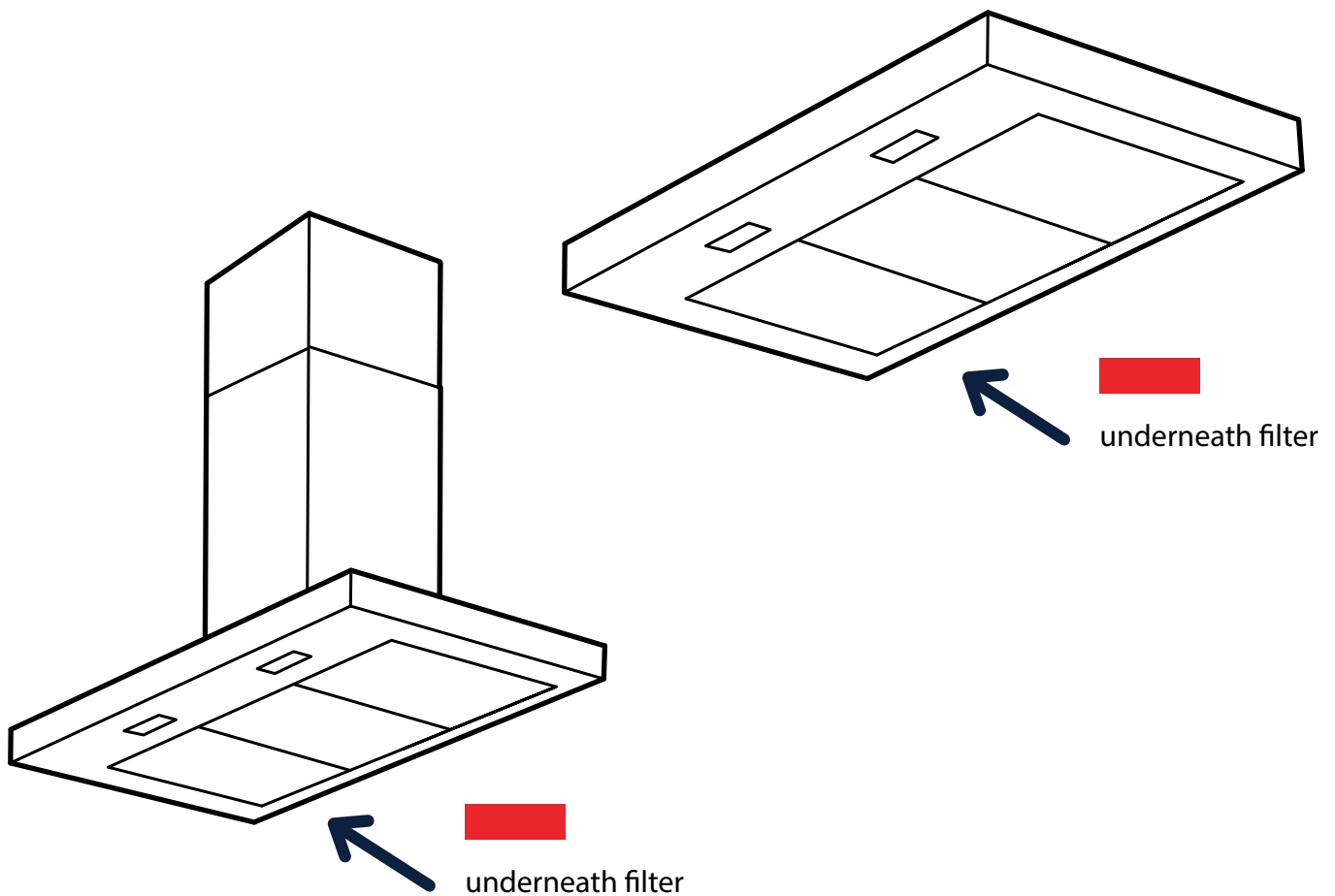
You can find your Serial Number inside your oven door, generally on the bottom lip for a 60cm oven. For a 90cm oven, your Serial Number will be located on the right-hand side as you open your oven door.



Rangehood serial numbers

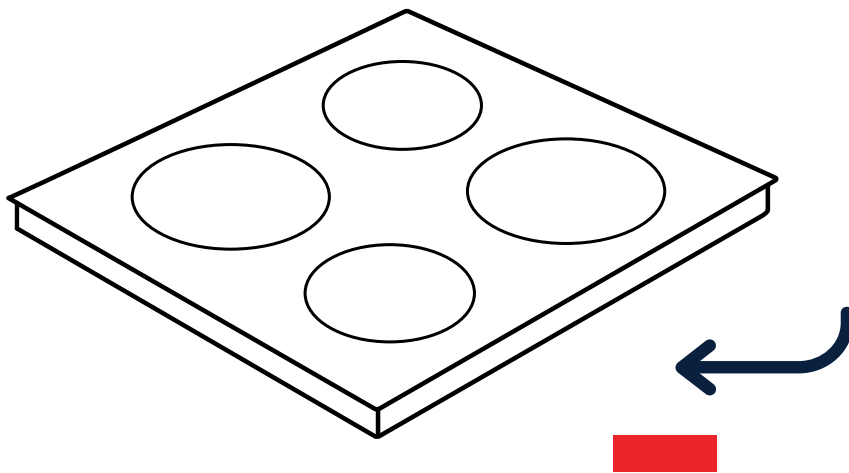
Your rangehood serial number can be found inside the rangehood itself, often requiring removing of the filter panel.

It is best practice to get your Serial Number of the product box when taking receipt of your product.



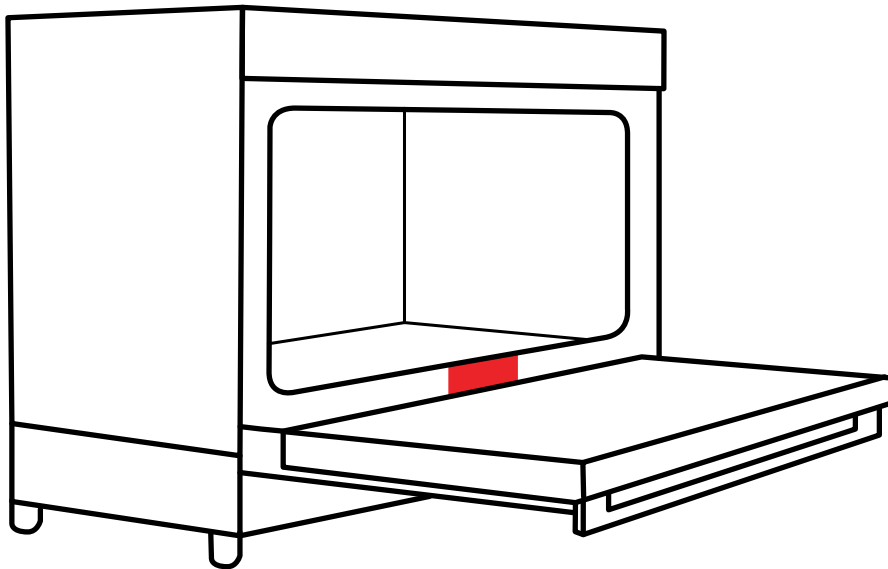
Cooktop serial numbers

You can find the Serial Number on your induction, gas or electric cooktop on the underside of the appliance, often found in the bottom right-hand side.



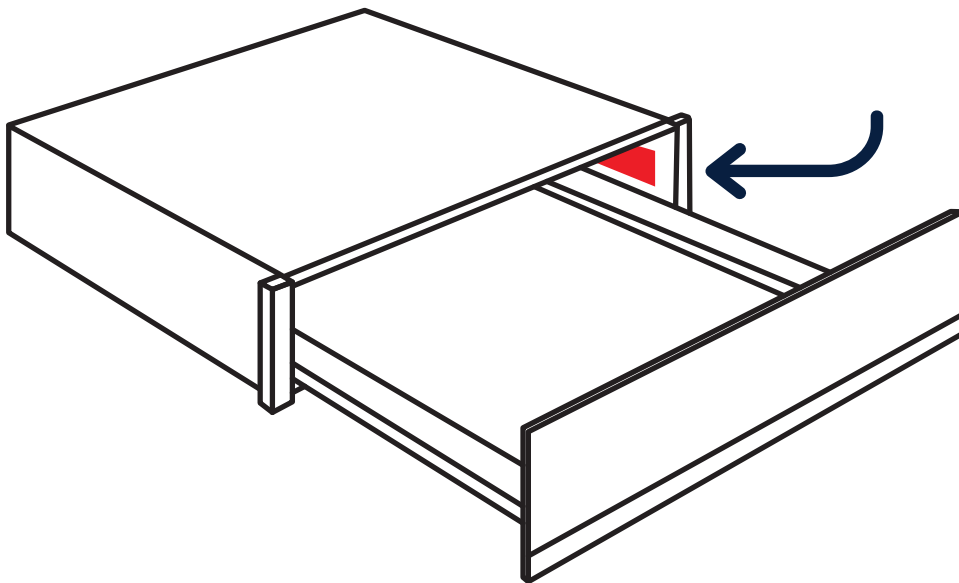
Freestanding cooker serial numbers

Your serial number is located on the inside of the oven door



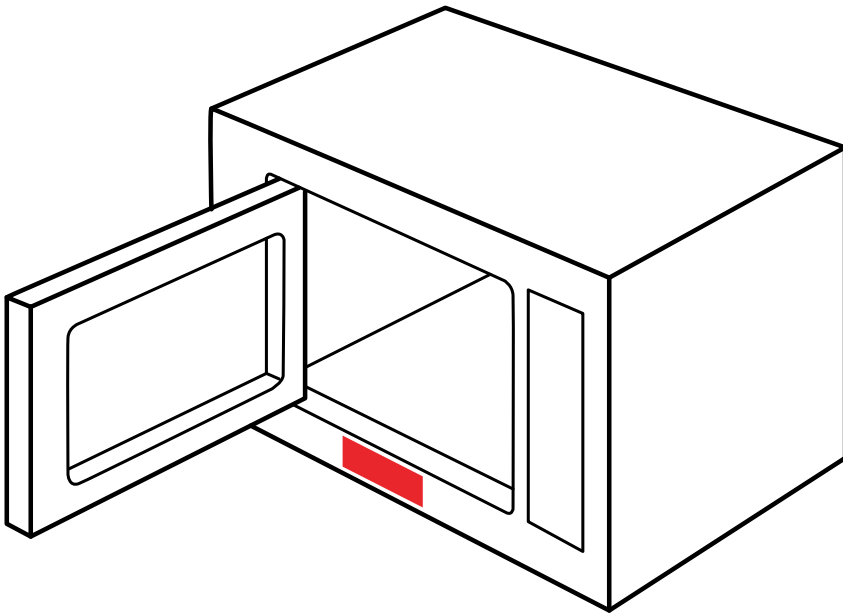
Warming drawers serial numbers

Your Serial Number on your Warming Drawer can be found on the left hand side inside of the unit, on the on/off controller.



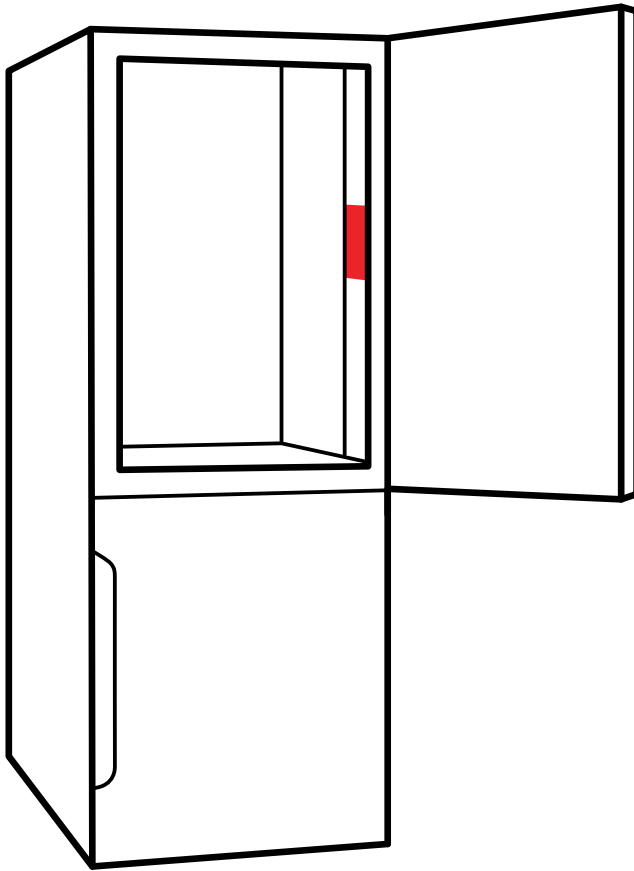
Microwaves serial numbers

Your Serial Number on your Microwave can be found on the bottom of the lip once you open the microwave door.



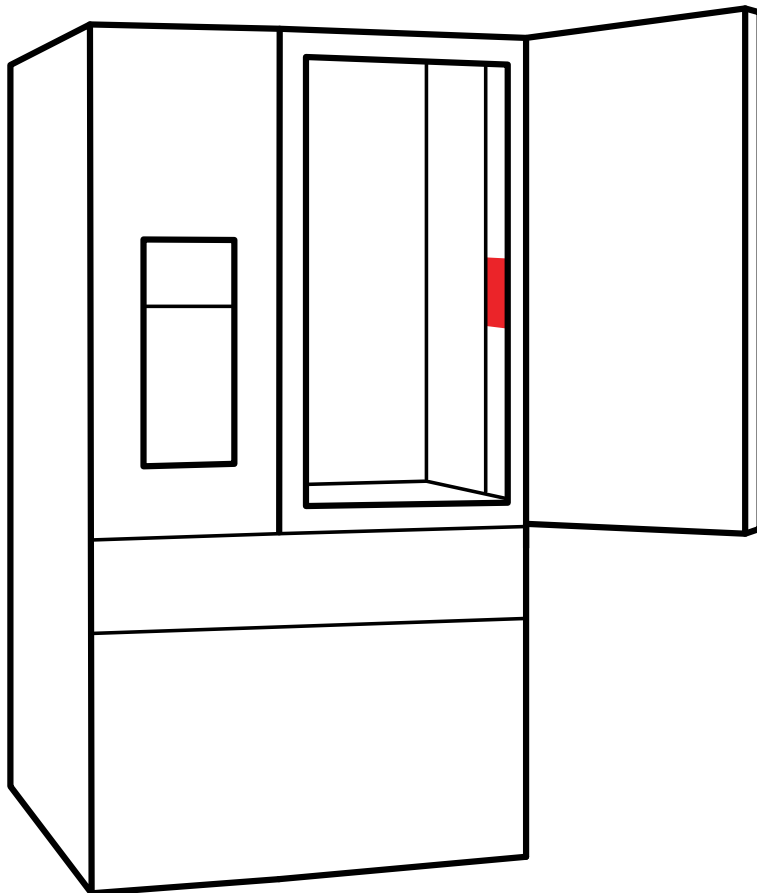
Refrigeration serial numbers

Your Serial Number on your fridge can be found inside your fridge on the right-hand side.



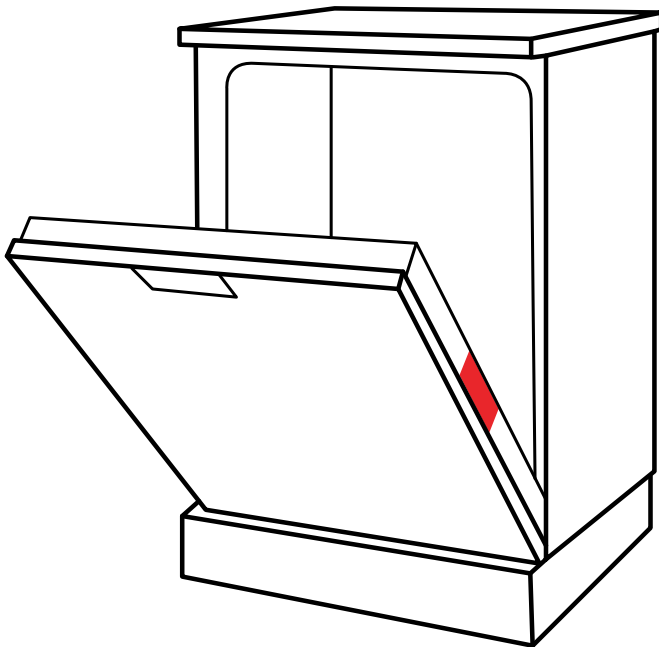
French door refrigeration serial numbers

Your Serial Number on your fridge can be found inside your fridge on the right-hand side.



Dishwashers serial numbers

Your Serial Number on your dishwasher can be found on the inside of the dishwasher door, generally on the right-hand side.



VINTEC

Wine cabinets serial numbers

Your Serial number on your Vintec Wine Cabinet can be found on a sticker placed inside the unit, either on the right or left hand side wall.

